



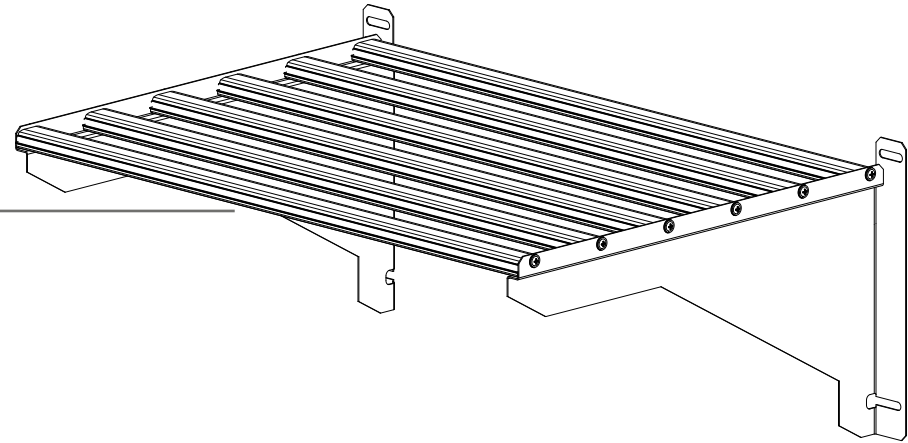
Assembly Instructions

Heavy Duty Shelf Kit

For All PALRAM's Greenhouses

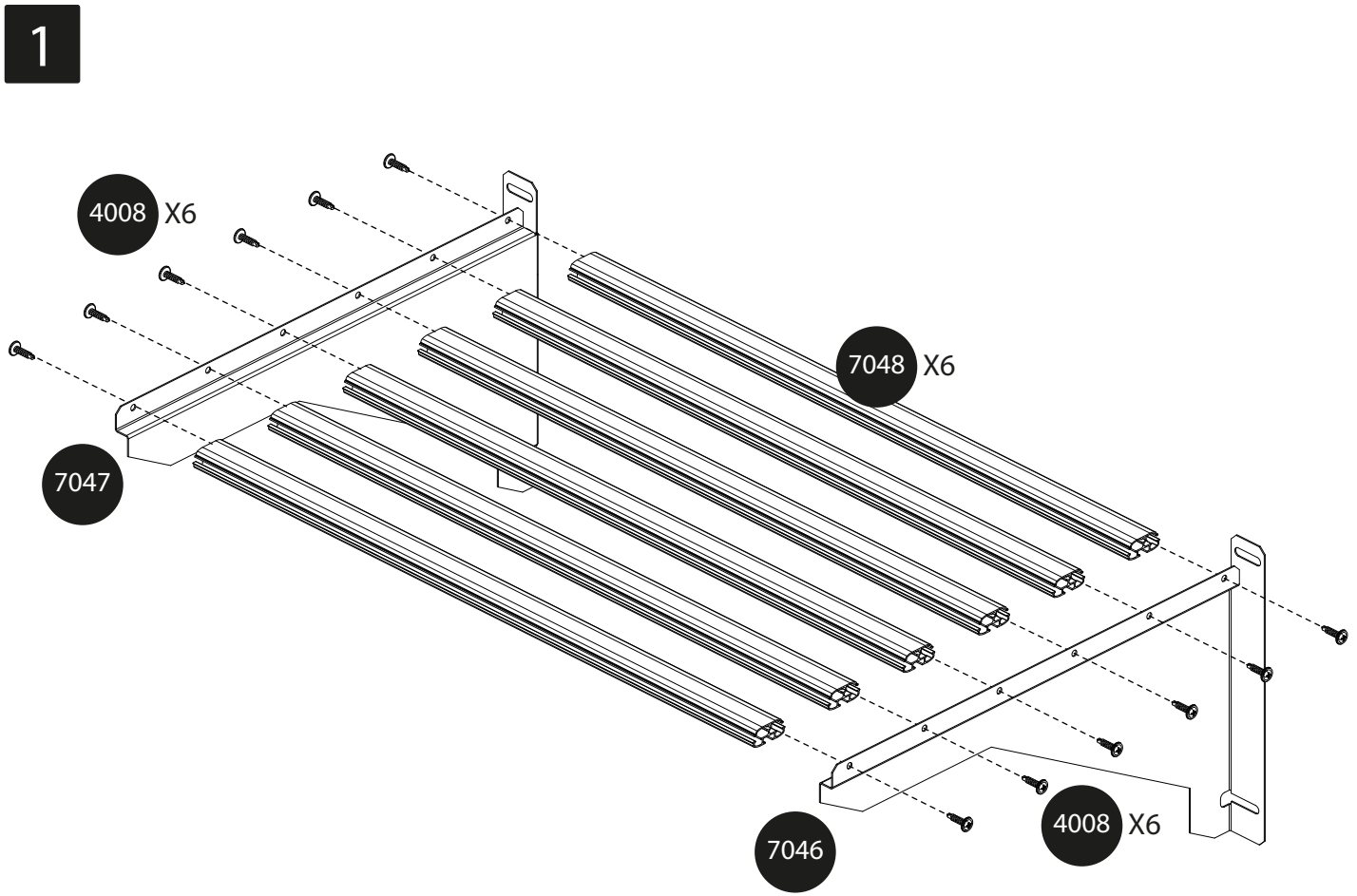
Approx. Dim.

58L x 42W x 20H cm / 22.8" x 16.5" x 7.9"

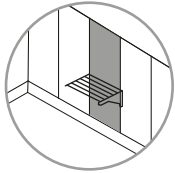


Contents

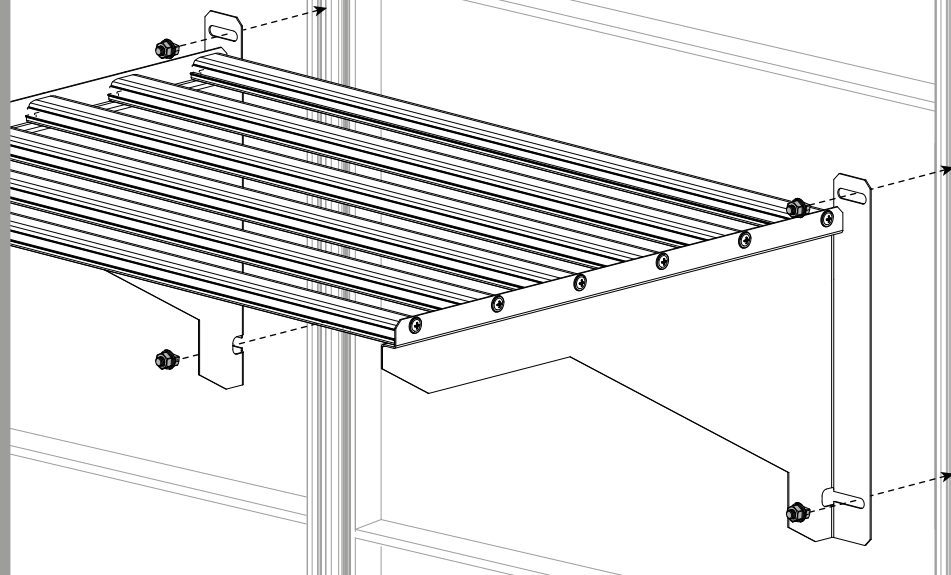
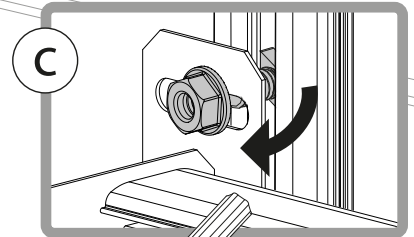
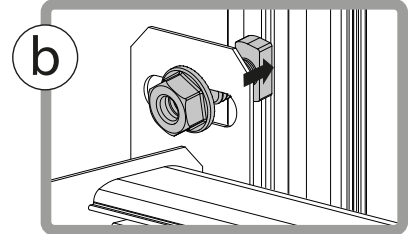
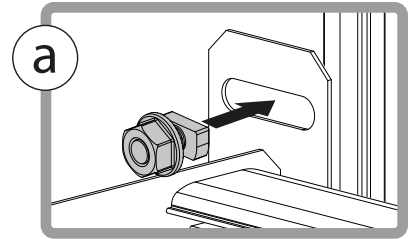
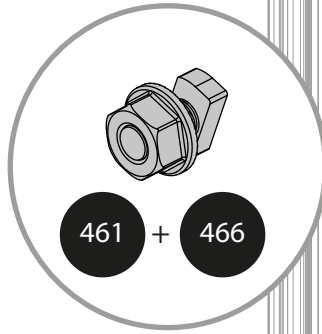
Item	Qty.	Item	Qty.
7048	6	4008	12 (+1)
7046	1	461	4 (+1)
7047	1	466	4 (+1)
		T001	1
		70	3



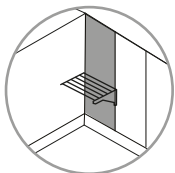
2



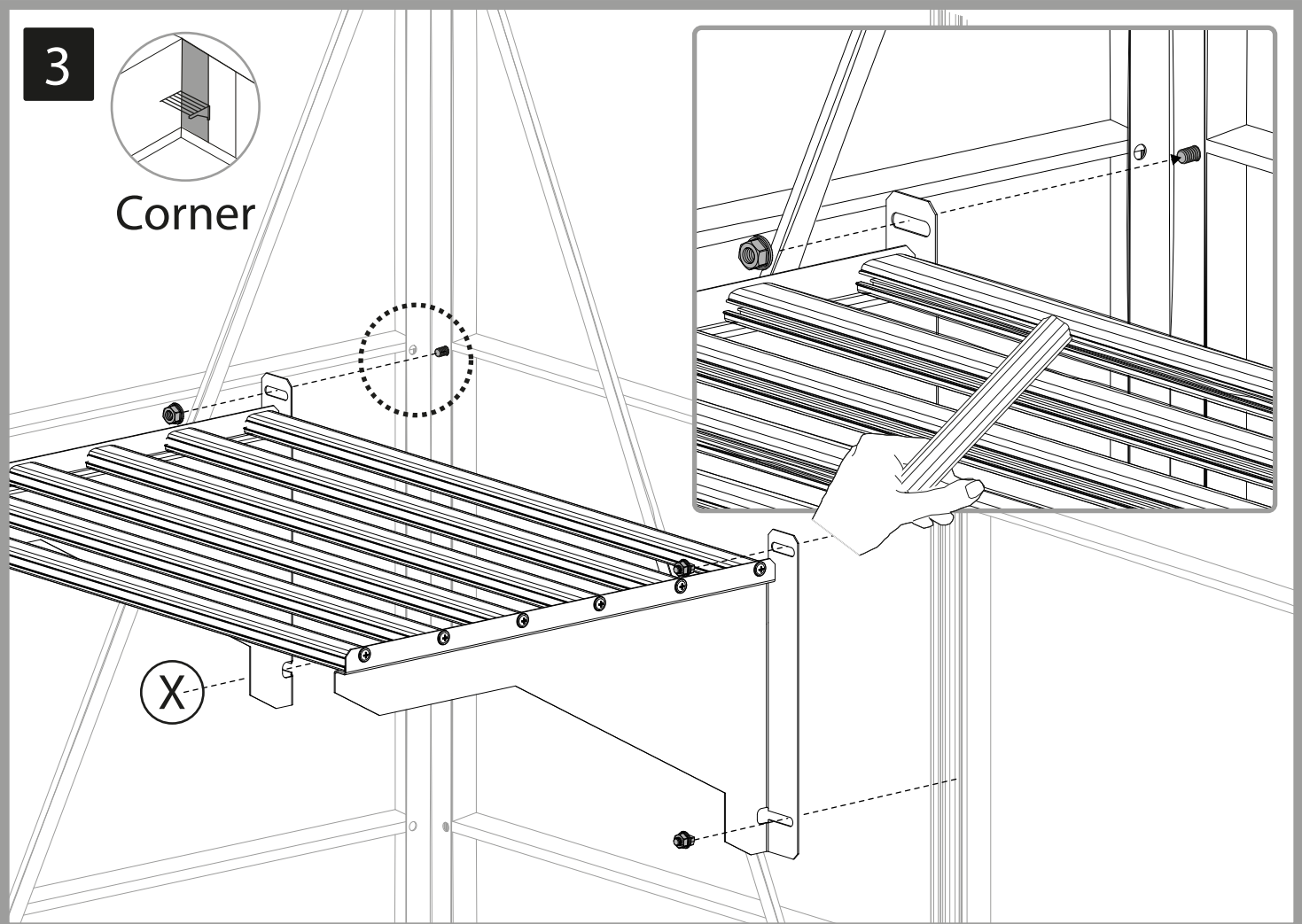
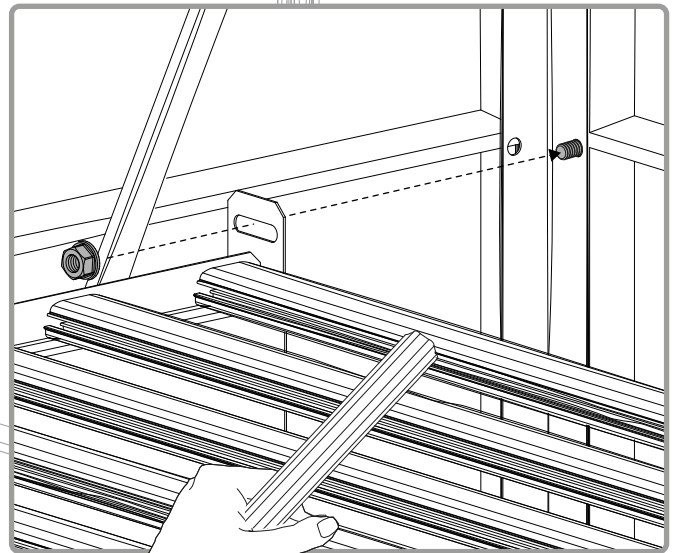
Middle



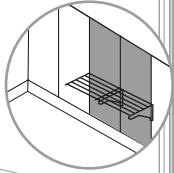
3



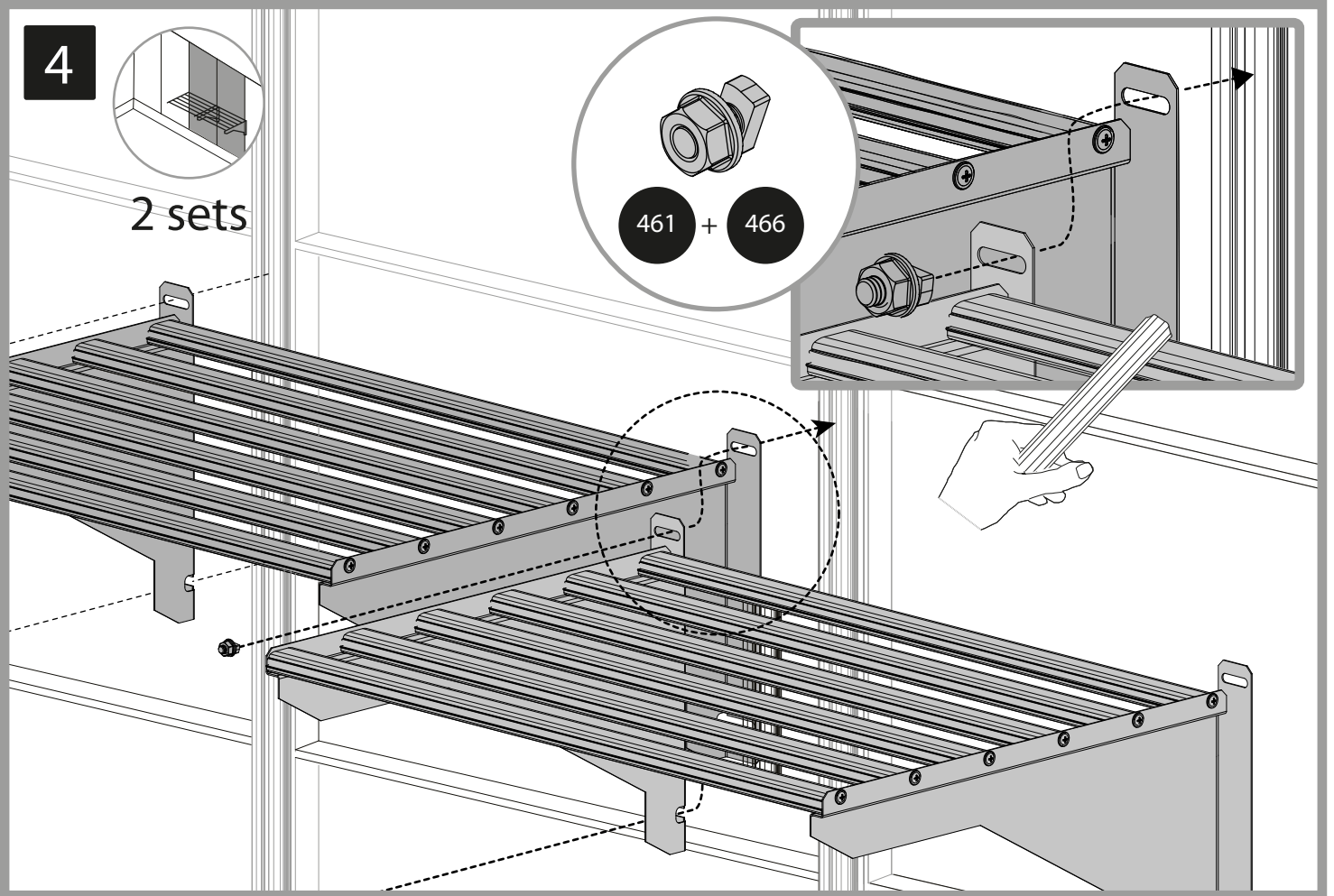
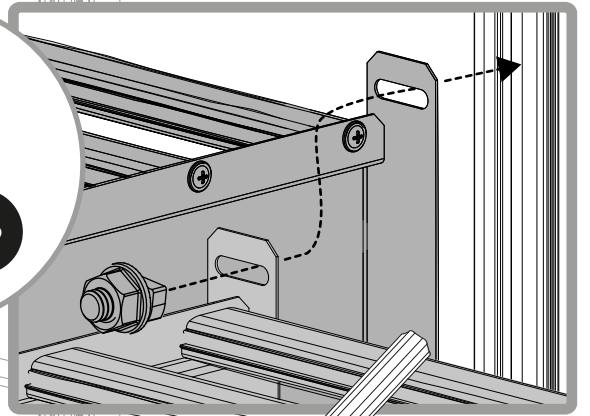
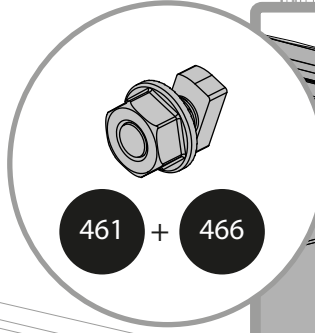
Corner



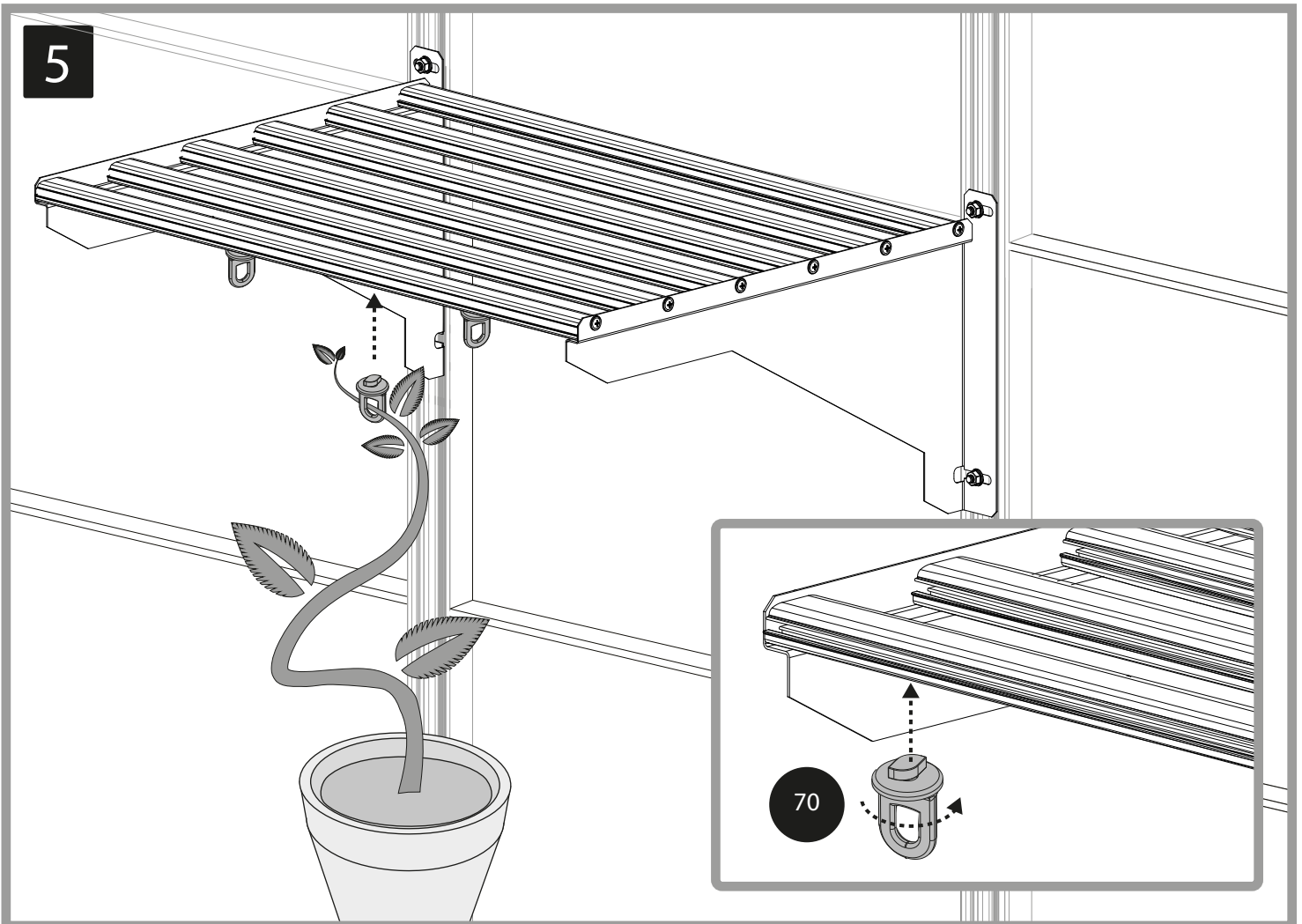
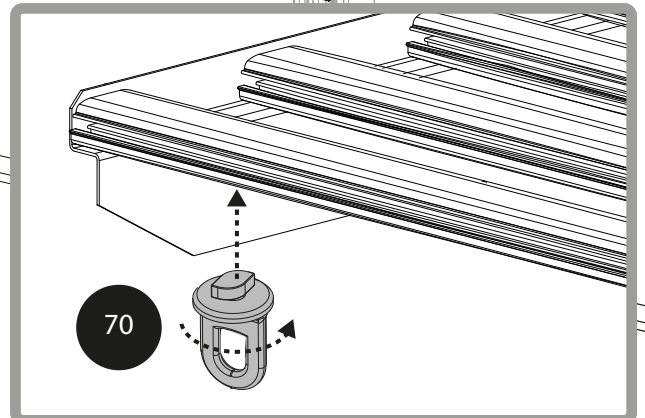
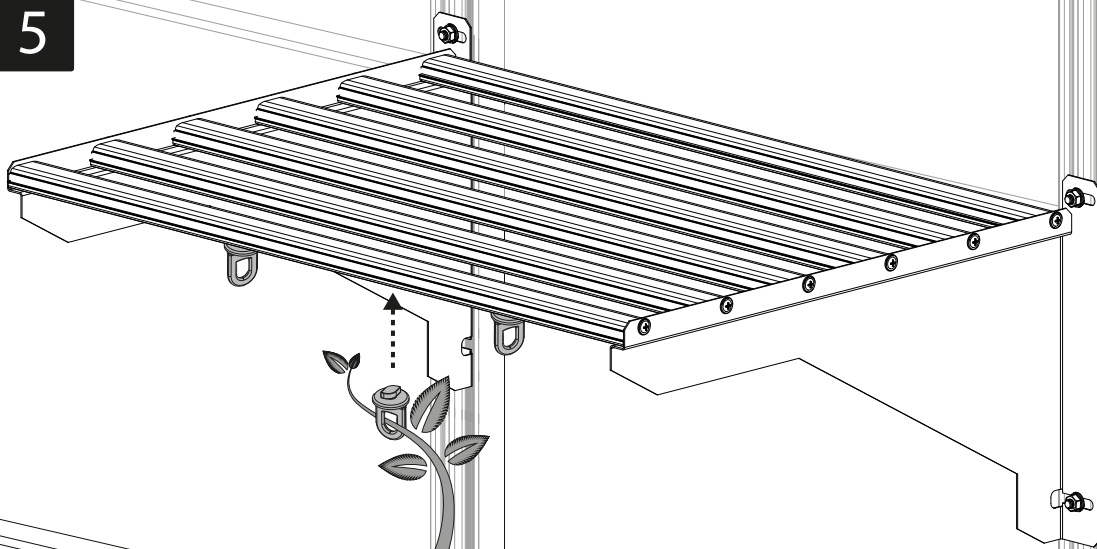
4

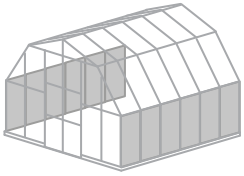


2 sets

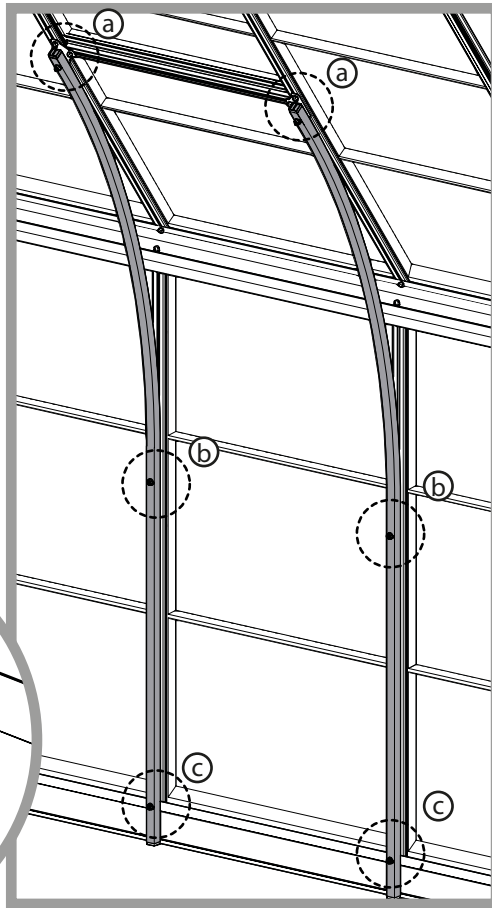


5

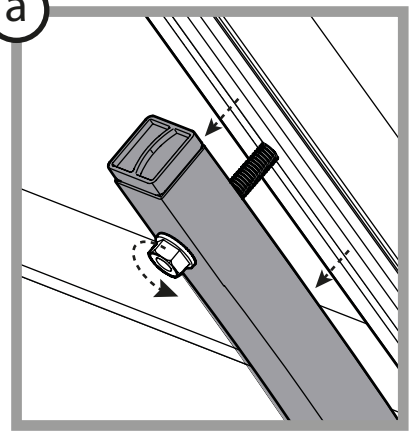




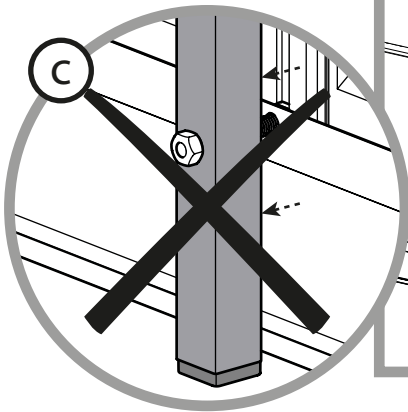
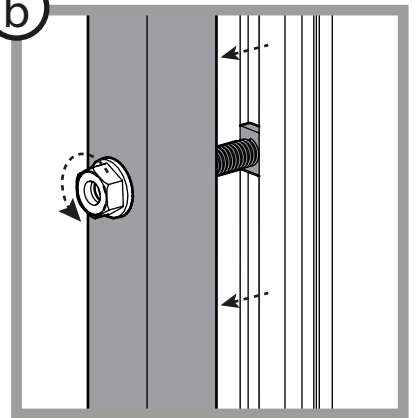
6



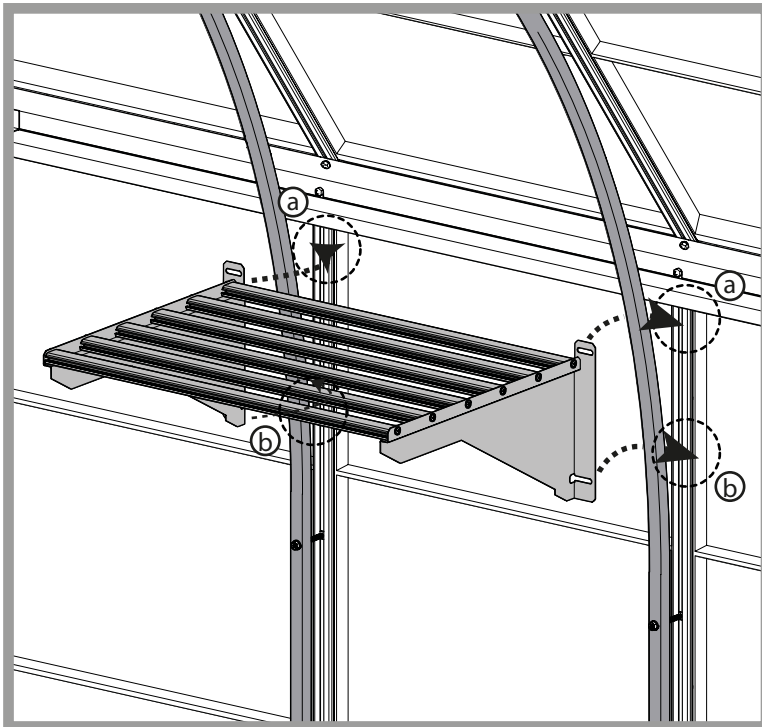
a



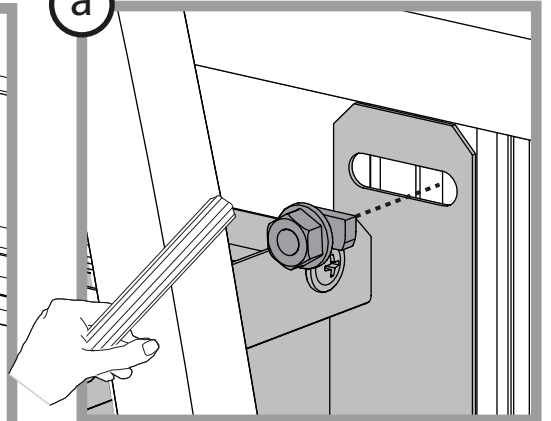
b



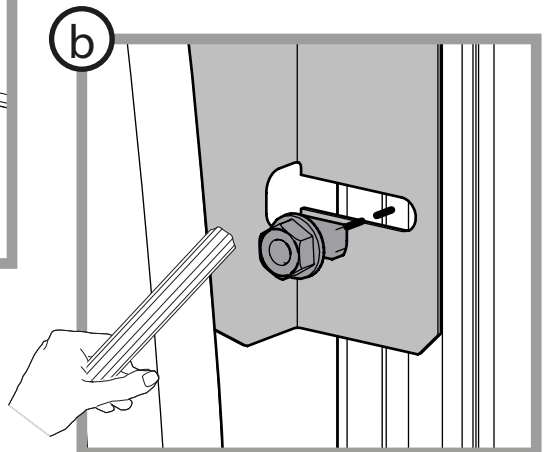
7

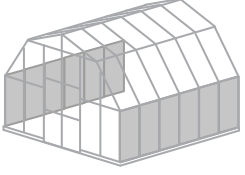


a



b





8

